

# ADxlite

Low Energy Lighting



[www.sign-lights.co.uk](http://www.sign-lights.co.uk)

The **ADxlite** is a new very low energy LED light for use in all types and sizes of illuminated signs.

**ADxlites** work differently from other lighting solutions. The 4 very bright LEDs (each 100 Lm/w) shine sideways through 360° and reflect off the sides and back of the sign case. This produces a crisp even illumination on the front face, no hotspots or shadows.



#### Energy saving

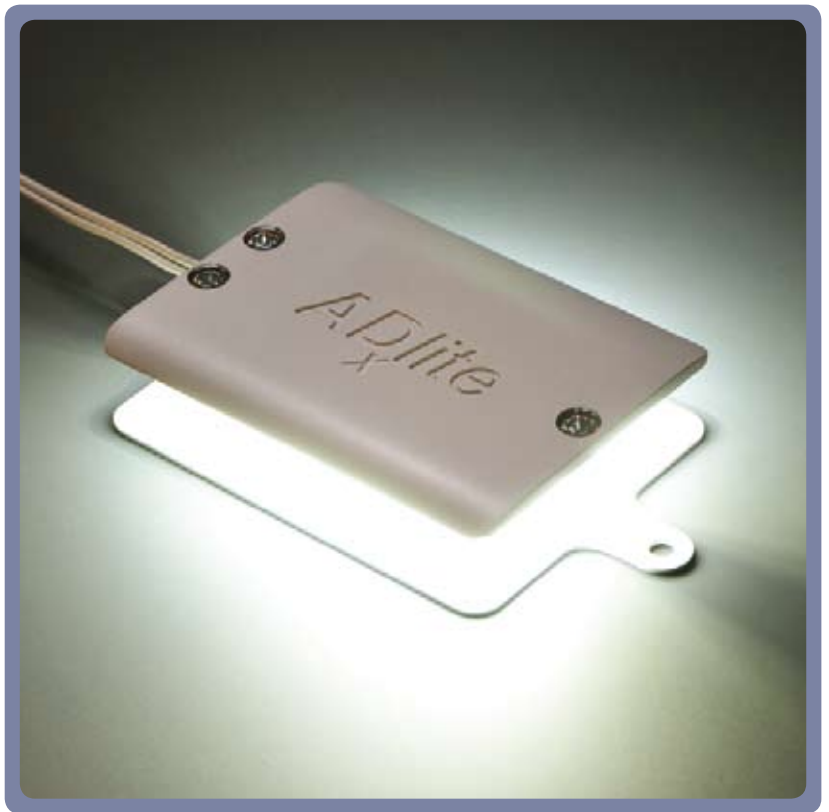
**ADxlites** are very energy efficient, saving 65% (or more) of the energy used by fluorescent tubes. In some cases saving enough energy to qualify for a Carbon Trust interest free loan for installing low carbon technology.

#### Extended lifespan

**ADxlites** have a lifespan of over 100,000 hours in normal working conditions. Used 12 hours a day, 365 days a year we expect **ADxlites** to work for over 22 years.

#### Reduced maintenance

There are no tubes to change or dispose of and no regular maintenance required for the first 50,000 hours. This is a considerable cost reduction especially for sky signs.

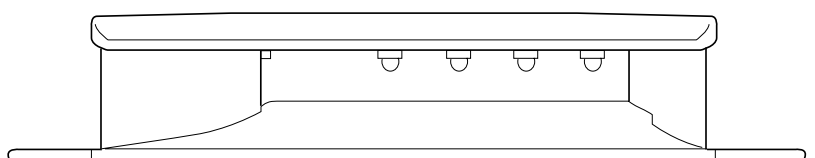
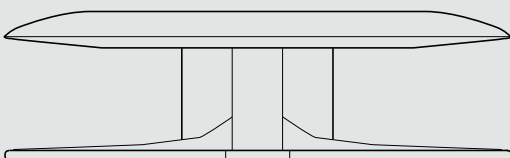


The **ADxlite** can be fixed to the back of the sign using M4 rivets or 4mm screws.



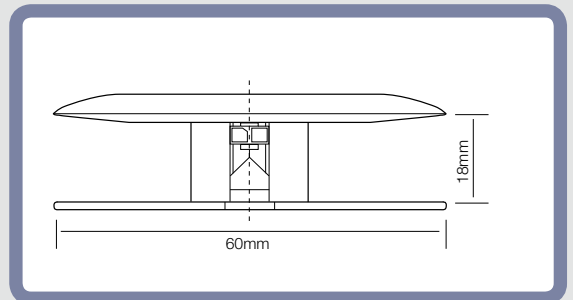
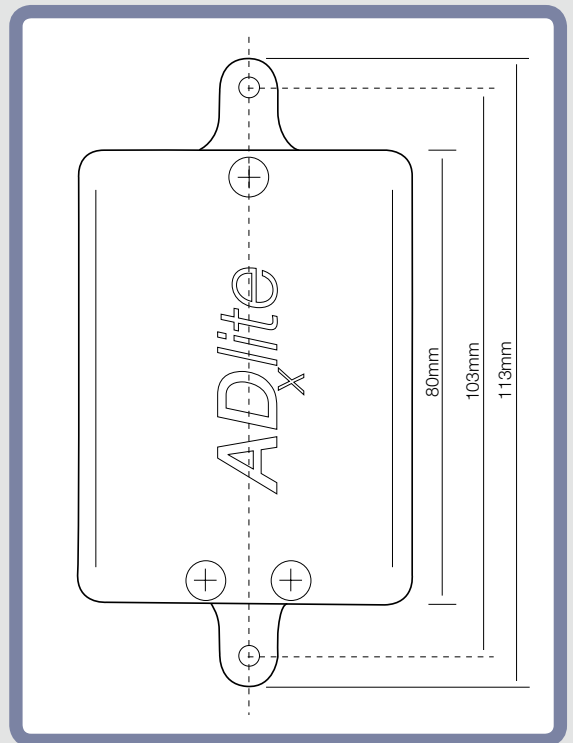
The **ADxlite** will operate in a range of environments and conditions. It is resistant to water and humidity up to IP67 and will operate in ambient temperatures between -40°C to 85°C.

**ADxlite** very low energy lighting



# ADxlite kits

ADxlites are sold in kits complete with lights, cables and a driver. The cable allows for a flexible layout of up to 450mm between lights. They connect the lights and the driver only one way, to ensure the polarity of the circuit is correct.



SKU	Description	Power		Illuminated area M <sup>2</sup>			Light Layout	
		Wh	Per kit	Internal	External	Circular	< 4 M <sup>2</sup>	> 4 M <sup>2</sup>
AD-Kit 6	6 Light kit	24	2,400	0.96	1.20	1.30	300-350	400-450
AD-Kit 5	5 Light kit	20	2,000	0.80	1.00	1.15	300-350	400-450
AD-Kit 4	4 Light kit	16	1,600	0.64	0.80	0.85	300-350	400-450
AD-kit 3	3 Light kit	12	1,200	0.48	0.60	0.70	300-350	400-450

## Technical Design Service

Sign Lights operates a design service to plan the lighting layout for ADxlites in all shapes and sizes of illuminated signs. This can be single sided, flex-face, unusual shaped signs and large illuminated letters. The design service is free to Sign Makers and Retailers. We provide a PDF file of the optimal layout with dimensions to allow for the manufacture of a new sign or the retro-fitting into an existing sign. This will also provide details of the energy saving calculations.

## Energy Saving Calculations

Sign Lights can provide detailed energy saving calculations for its ADxlites compared to other types of lighting. These include total kWh per year for energy costs, forecasted for five years. Generally this saves greater than 65% of the electricity used by Fluorescents. The calculations show the CO<sub>2</sub> and Carbon consumption and savings.

## ADxlite specification

SKU	AD-4
LEDs	Cree XPC
Light output	400 Lm
Power	350mA, 4-12V, 4w
Driver	LEDD28 (3-6 lights)
Waterproofing	IP67
Life expectancy	100,000 + hours
Guarantee	20,000 hours / 5 years
Material	Aluminium white
PCB	IMS
Shunt	NUD4700
Connector	SD-43650 Molex
Size	80 x 60 x 18 mm
Overall	80 x 113 mm
Fixing holes	4 mm
Weight	220g



## Carbon Trust 0% interest free loans

The UK Government through the Carbon Trust is encouraging companies to buy and retro-fit low carbon technologies. **ADxlites** are ideal for this, as they give the user an instant reduction of 65% (or more) in the energy consumed by the existing fluorescent technology. The Carbon Trust is offering interest free loans to end-users, saving over 4.5 metric tonnes of CO<sup>2</sup> per year. The loan is repayable out of the energy savings over a maximum period of 4 years. On most sites the loan more that covers the extra cost of LED lighting, delivery and installation. For further information ask us for an Energy Saving Calculation based on your sign sizes.



Unit 2 Links Business Park  
Carr Lane, Hoylake  
Wirral CH47 4AZ  
United Kingdom

**T:** +44 (0)151 632 6293  
**F:** +44 (0)151 632 1493  
**E:** sales@sign-lights.co.uk  
**W:** www.sign-lights.co.uk



### Talk Talk

Flex-face sky sign. **ADxlites** save 82.6% of the energy used by fluorescent tubes.



### M&S Simply Food

Fret cut letters sign. **ADxlites** save 79.2% of the energy used by fluorescent tubes and reduce maintenance to zero.



### 6-Sheet

Bus shelter sign in Oxford Street, London. **ADxlites** will save 75.84% of the energy used by fluorescent tubes.



### Vimto

Flex-face sign 5000 x 2000 mm. **ADxlites** save 84.35% of the energy used by fluorescent tubes and reduced maintenance to this 4th floor sign.



### Burger King

Fascia sign with acrylic face. **ADxlites** save 70.2% of the energy used by fluorescent tubes.

Distributed by